

SPLIT BARGE HILA



GENERAL

Name	:HILA
Type	:Split Hopper Barge, Self
Propeller	
Date and place built	:1977/Romania
Call Sign	:9LU 2301
IMO No	:7647211
Class	:Phoenix Register of shipping
P&I	:Arsenal Insurance Company
Flag	:Sierra Leone
LOA	:60.30 m
Breadth	:11.00 m
Depth	:4.00 m
Tonnage	:1070 GRT-321 NT
DWT	:1373t
Loaded Draft	:3.387 m
Accommodation (person)	:5 Persons
Minimum Safe Maning	:3 persons

HOPPER HOLD

Volume	:940 m3
Length of Hold	:34 m
Max. Open Position	:1.7 m

ENGINES & GENERATORS

Total Power of Engines(HP)	: 1000 HP
Main Engine	:373*2 kW CUMMINS KTA 19M
Propeller version and power	:514 HP Deutz BF8M1015 MC 2100 rpm
Generator 1	:Perkins 48 kW
Generator 2	:Mitsubishi 59 kW
Consumption per Day	:Fully Loaded :1.3t
D/O Fully Loaded	:29.8 m ³
Speed	: Fully Loaded :6 knot : Empty :7 knot

<u>Nav. Equipments</u>	:VHF :SPERRY RT-2048
	AIS :FURUNO FA-150
	Radar :FURUNO RDP-127
	GPS :FURUNO GP90

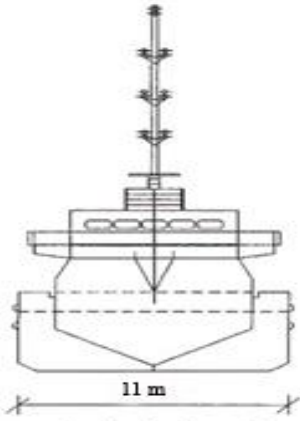
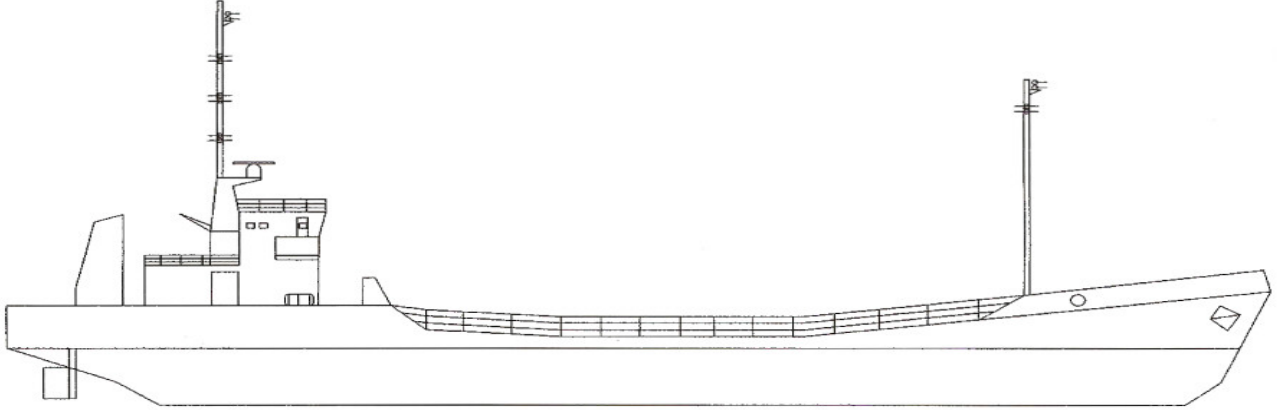


ARAS DENİZ İNŞAAT A.Ş.
ARAS MARINE CONSTRUCTION CO.
Postane Mah. Rauf Orbay Cad. No.233
34940 Tuzla / İSTANBUL - TÜRKİYE

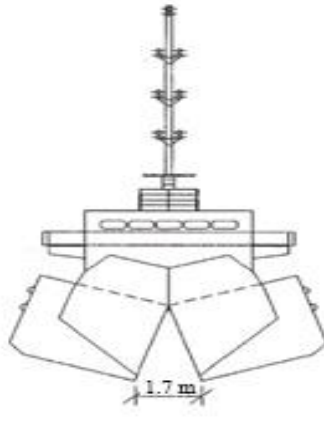
Tel: +90 (216) 446 53 09 • Faks: +90 (216) 446 13 39



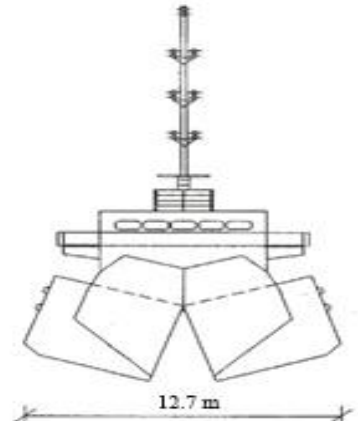
SPLIT BARGE HILA



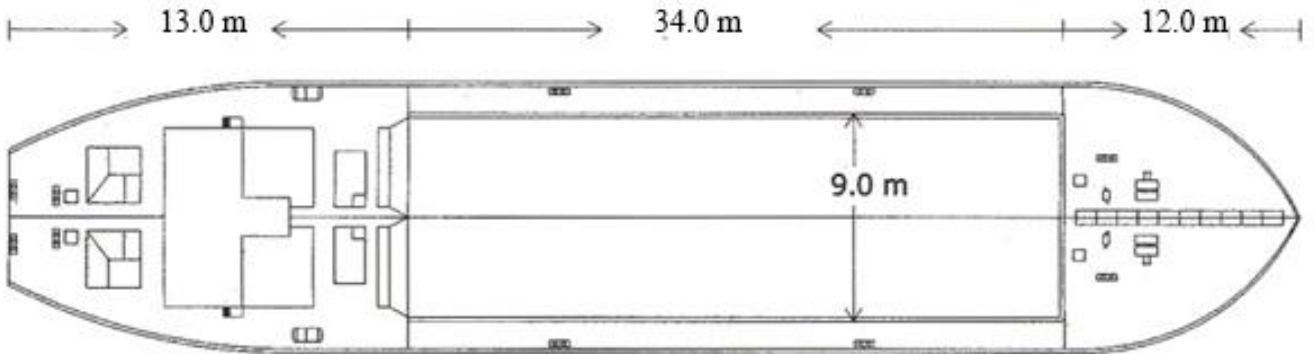
Section looking aft



Section looking aft
hopper open



Section looking aft
hopper open



ARAS MARINE
www.aras-marine.com

ARAS DENİZ İNŞAAT A.Ş.
ARAS MARINE CONSTRUCTION CO.
Postane Mah. Rauf Orbay Cad. No.233
34940 Tuzla / İSTANBUL - TÜRKİYE

Tel: +90 (216) 446 53 09 • Faks: +90 (216) 446 13 39

